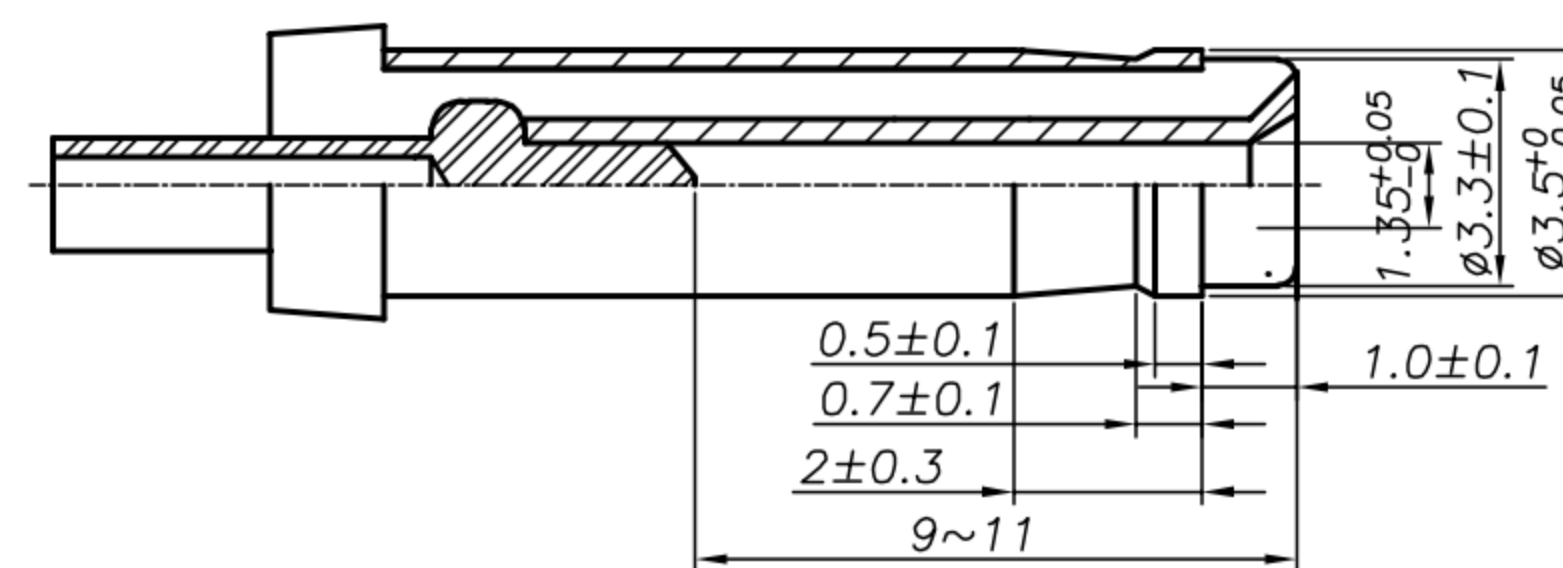
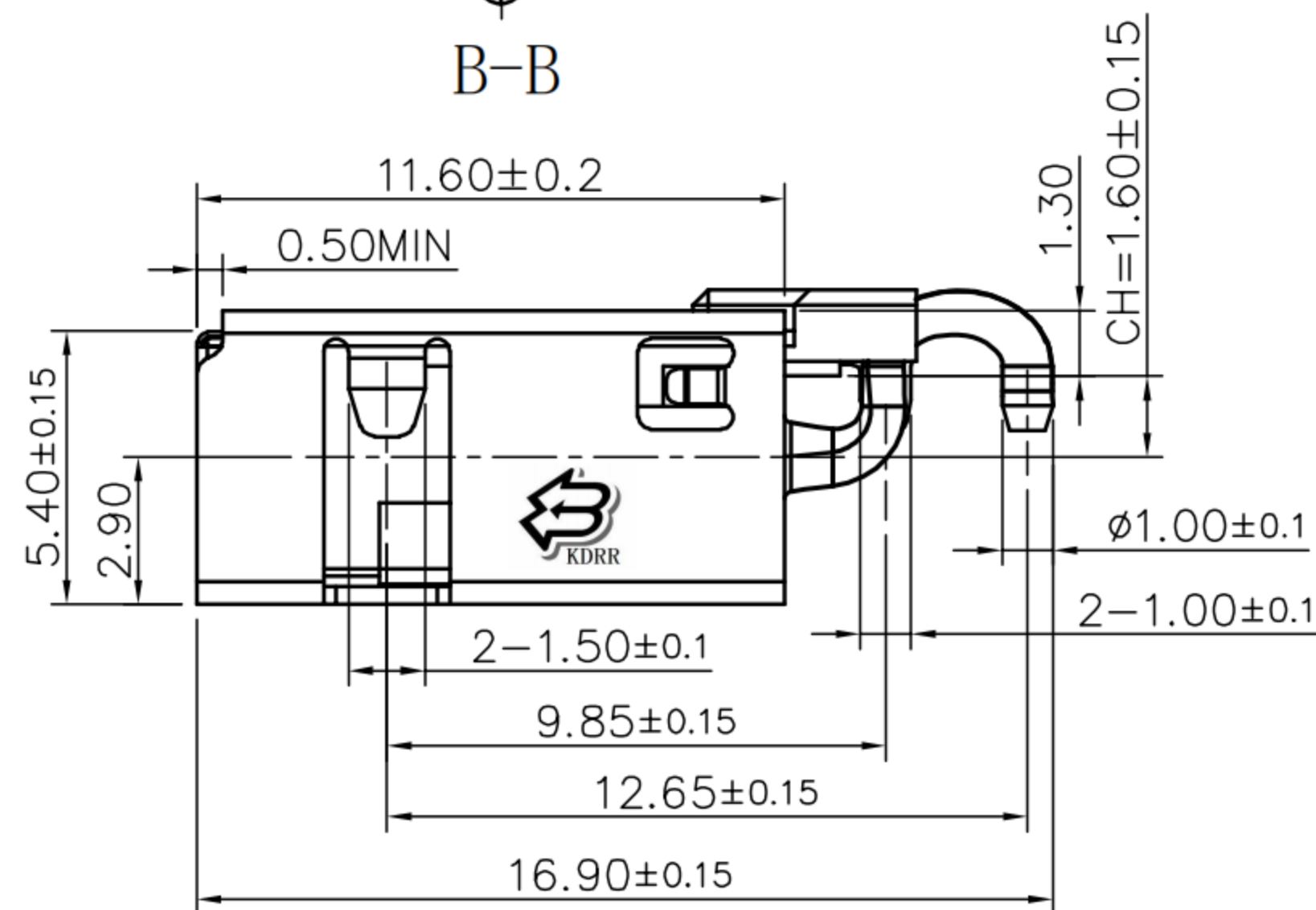
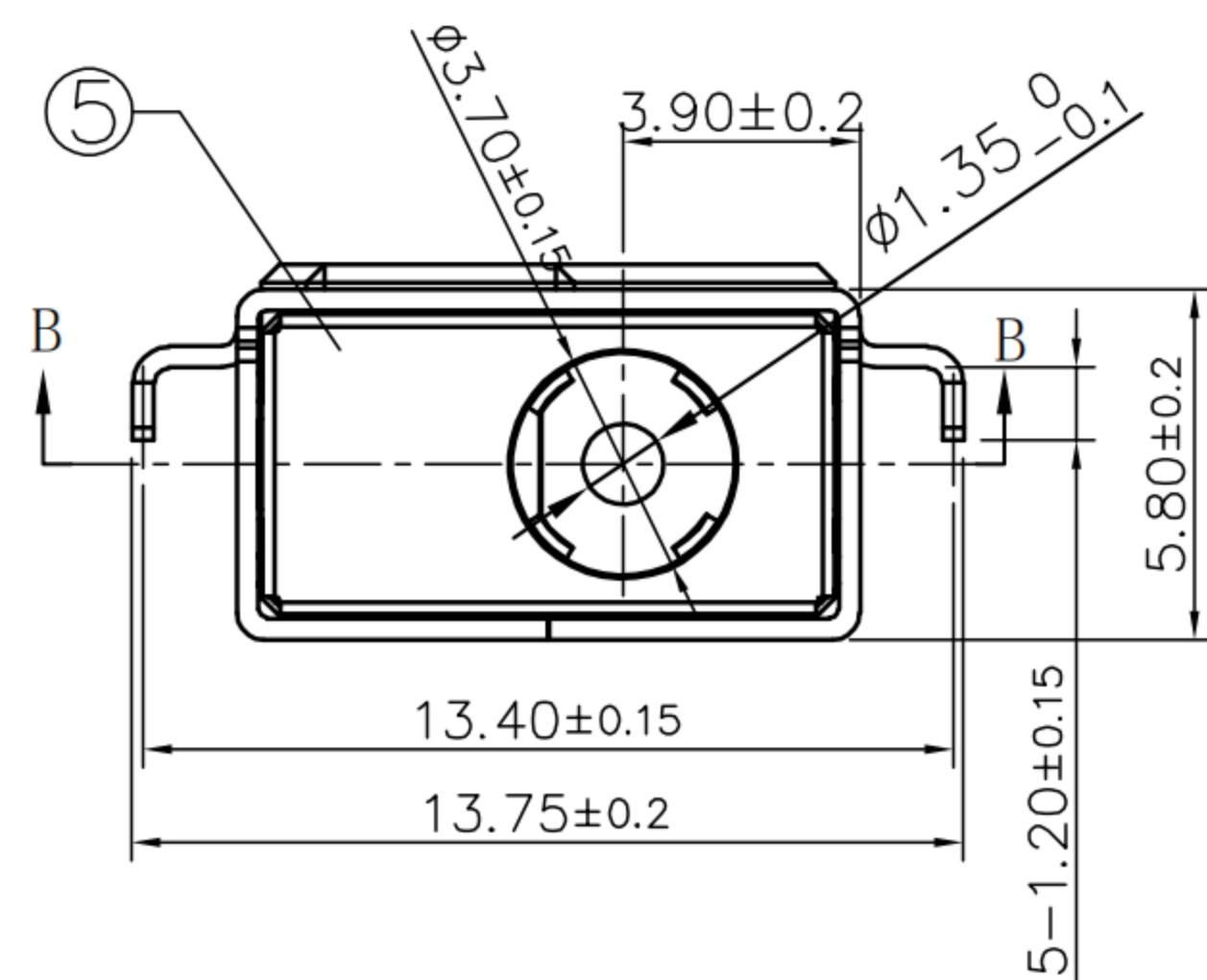
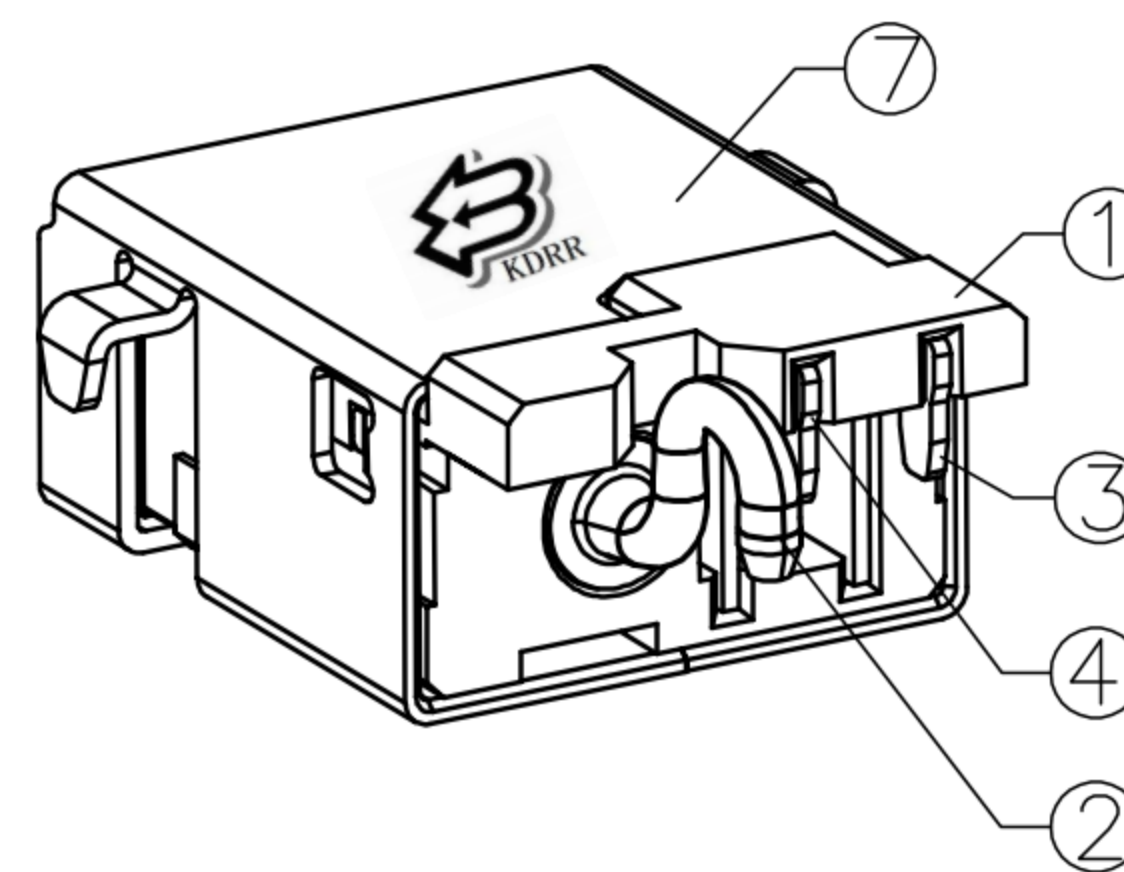
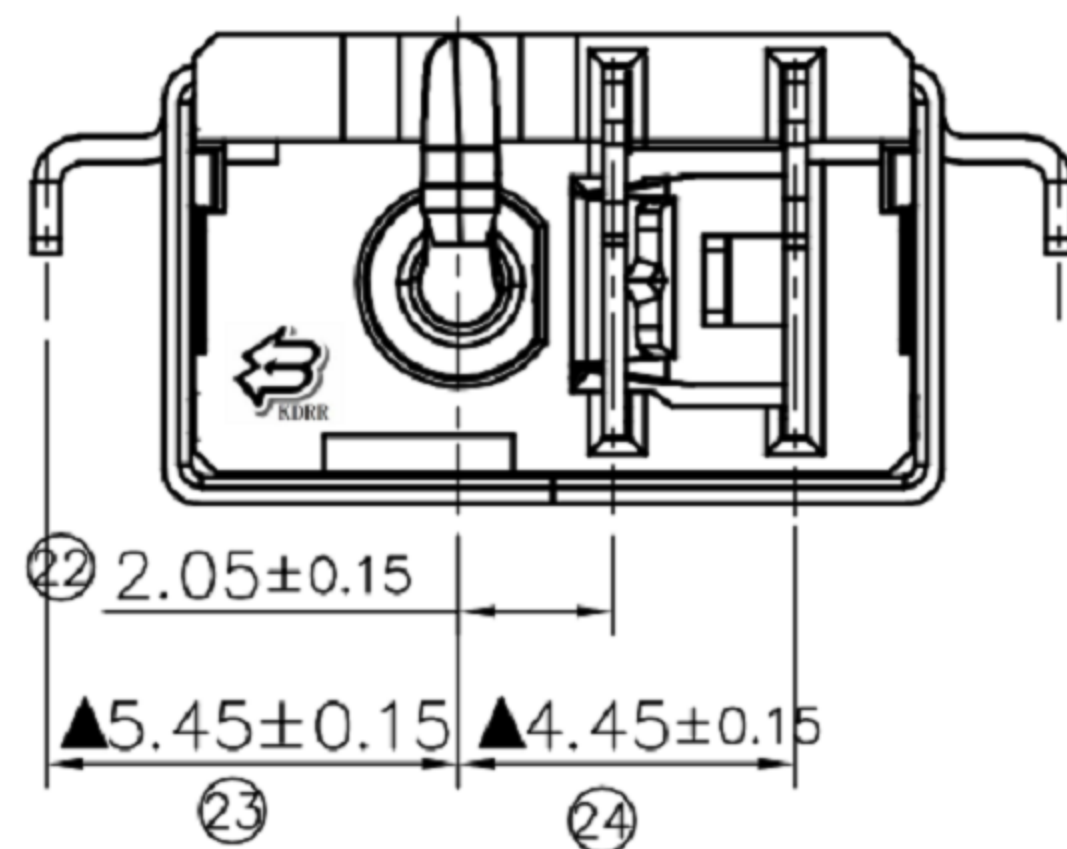
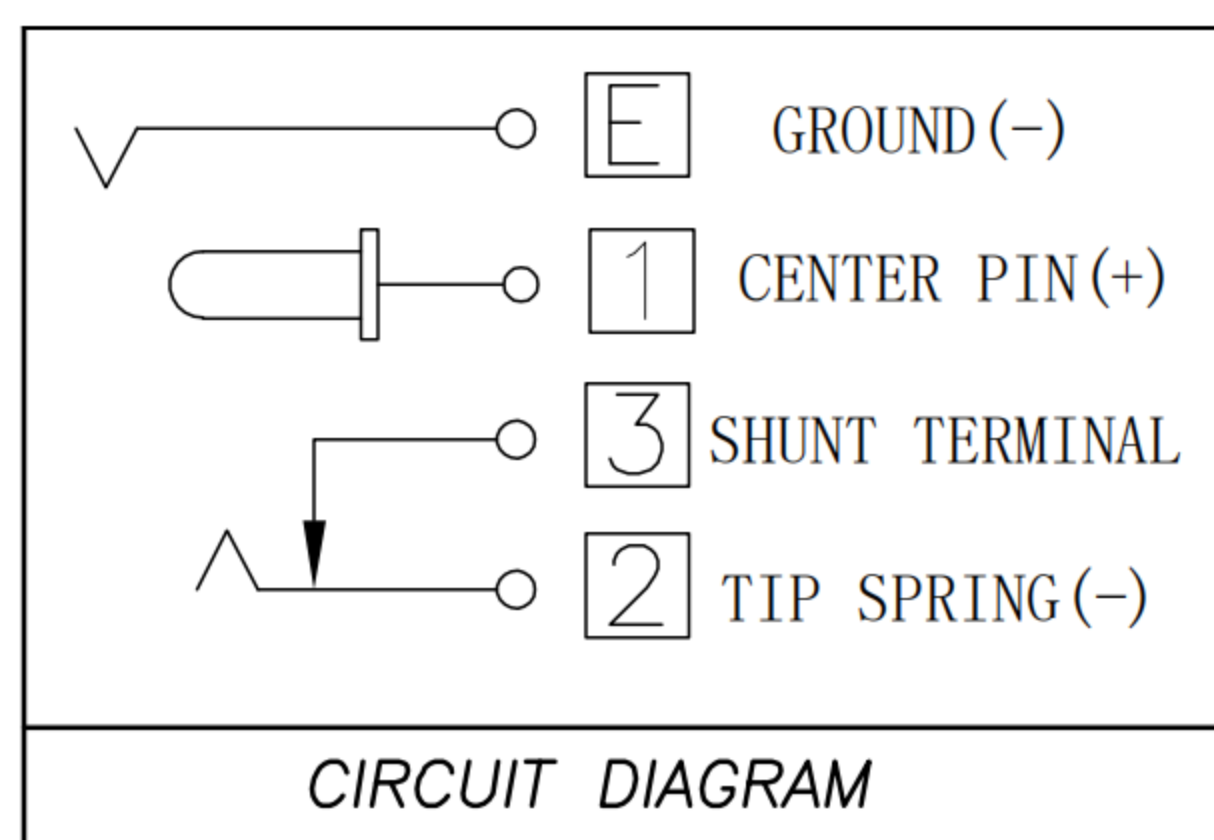


P.C.B LAYOUT
TOP VIEW



DC MATE PLUG



NO.	DESCRIPTION	Q'TY	MATERIAL	REMARK
⑦	SHELL	1	C2680-H t=0.35	All over Ni 40u" Min.
⑥	Terminal	1	Copper Alloy	
⑤	Grounding	1	SUS301-H t=0.10	N/A
④	Shunt terminal	1	C2680-H t=0.30	All over Gold flash
③	Tip spring	1	C5210-EH t=0.30	
②	Center Pin	1	Brass	G/F 1u" Min, All over Ni 40u" Min.
①	Housing	1	LCP 30%GF	Black

Ordering information:
GD-DCT-02080

- (1): Series No.
- (2): Schematic option: A
- (3): Center pin diameter:
E=φ1.35
- (4): Material of housing:
LC=LCP
- (5): Housing color:
0A=Black (Standard)
- (6): Terminal plating
G=Gold (Gold flash)
- (7): Special option:
0=No special option
- (8): Packing mode:
1=Tape&Reel packing

Specification:

- 1. Rating : DC 20V 7A.
- 2. Contact resistance: ≤30mΩ.
After life test: ≤50mΩ.
- 3. Insulation resistance: ≥100MΩ (500VDC).
After life test: ≥50MΩ.
- 4. Withstand voltage: 500VAC.
- 5. Insertion and extraction force:
Initial: 10N~30N.
After life test: 7N~30N.
- 6. life test: 10000cycles min.
- 7. Operation temperature range: -20°C~70°C.
- 8. Preservative temperature range: -40°C~85°C.



东莞市高迪电子有限公司
Dong Guan KDRR Electronic Switch Jack Co., Ltd.

TOLERANCE UNLESS OTHERWISE STATED:
Up to 5 ±0.2
Above 5 ~ 15 ±0.3
Above 15 ~ 30 ±0.4
Above 30 ~ 50 ±0.5
Angle ±0.3°

3RD. ANGEL'S

UNITS MM

DRAWN BY: Ming Ming Zou
DATE: 6/8/23

CHECKED BY: Ning Ning Su
DATE: 6/8/23

APPROVED BY: Jia Xiang
DATE: 6/8/23

MAT'L	TITLE	JACK
FINISH	MODLE	DC JACK
SCALE: 1:1	DWG NO.	GD-DCT-02080
SHEET NO. 1 of 1	PART NO.	

ITEM NO.	DESCRIPTION	DRAWN	DATE
4	更新材質	Jack	050420
3	更新尺寸	Jack	121119
2	更新尺寸標示位置	Jack	082719
1	更新尺寸	Jack	080519

SIZE A4
VER R4